

REDWOOD NORTHWEST

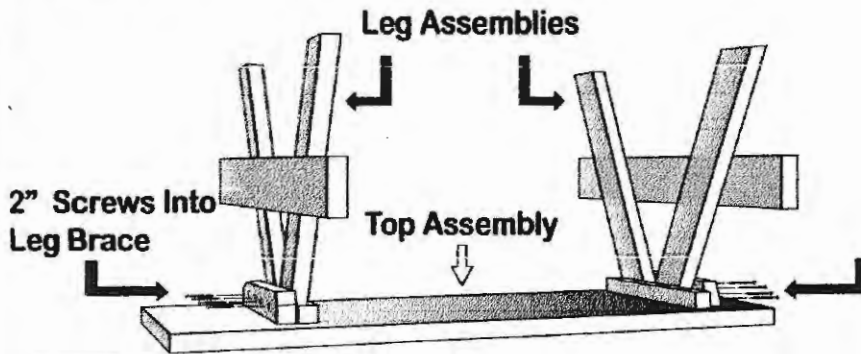
www.redwoodnorthwest.com



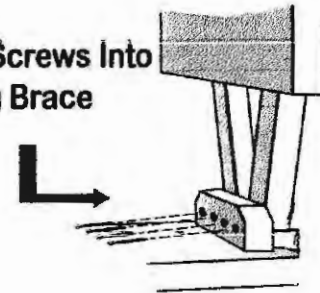
ASSEMBLY IN THREE EASY STEPS

STEP #1.

Place table top assembly, top down, on a flat surface. Position leg assembly as shown and fasten leg assembly on top assembly with screws as shown (holes are pre-drilled) . Do the same with the second leg assembly on opposite end.

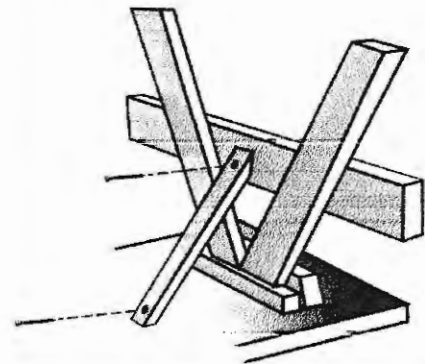
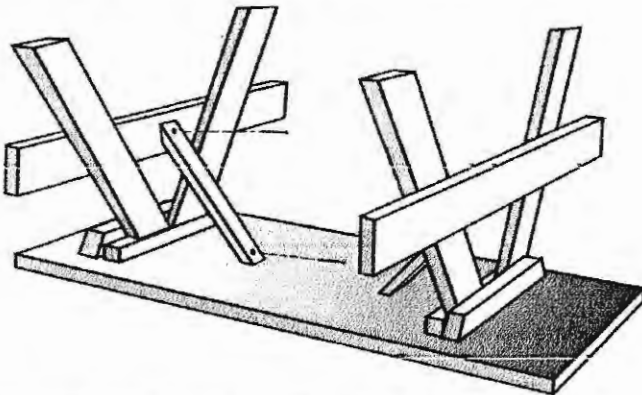


2" Screws Into Leg Brace



STEP #2.

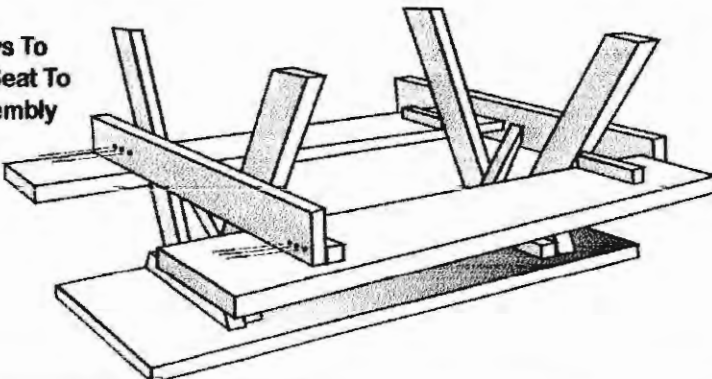
Position the diagonal brace as shown and attach with 1 screw on each end (holes are pre-drilled) .



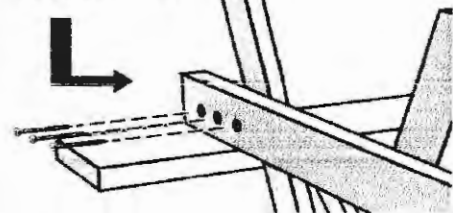
STEP #3.

Position seat assembly as shown and fasten with screws on each end (holes are pre-drilled) . Attach opposite seat in the same manner.

2" Screws To Secure Seat To Leg Assembly



2" Screws To Secure Seat To Leg Assembly



REDWOOD NORTHWEST

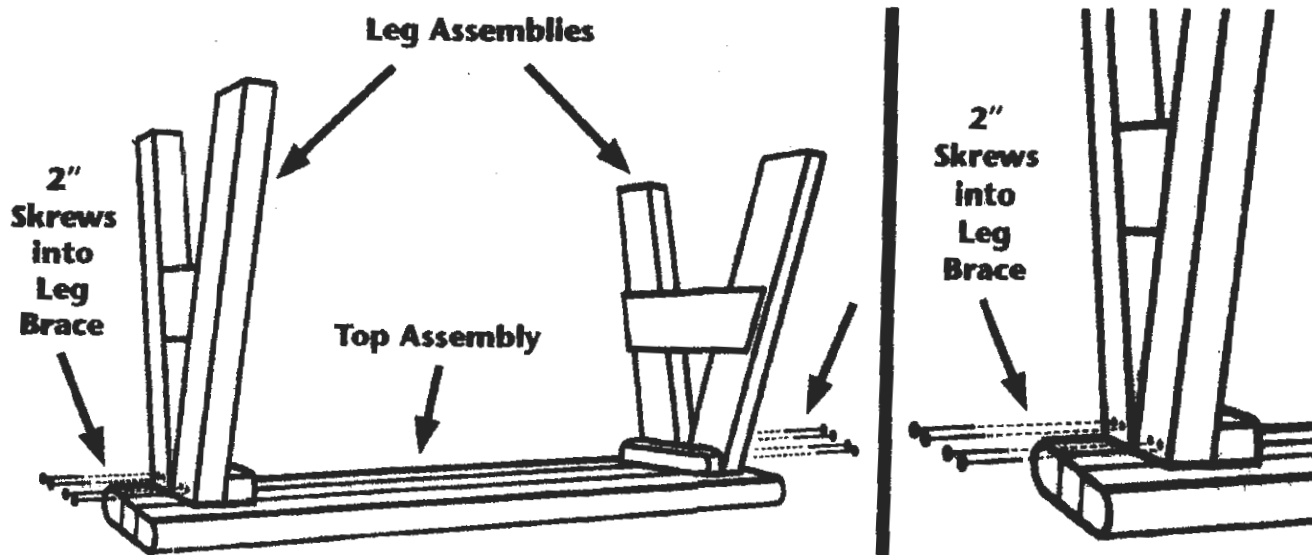


www.redwoodnorthwest.com

ASSEMBLY IN TWO EASY STEPS

STEP #1.

Place garden bench assembly, top down, on a flat surface. Position leg assembly as shown and fasten leg assembly on top assembly with screws as shown (holes are pre-drilled). Do same with the second leg assembly on opposite end.



STEP #2.

Position the diagonal brace as shown and attach with 1 screw on each end (holes are pre-drilled).

